

Edge Protection Seal Profiles

Material NBR / EPDM (UL-Certified)

SPECIFICATION

Types

- Type **A**: Upper seal profile
- Type **D**: Side seal profile

Clamping profile / Sealing profile

Ethylene propylene diene rubber **EPDM**

- Black
- Clamping profile hardness 65 ±5 Shore A
- Sealing profile hardness 25 ±5 Shore A
- Temperature resistant -40 °C to 100 °C

Acrylonitrile butadiene rubber **NBR**

(only for sizes $h_1 = 20.5$ and 13)

- Black
- Clamping profile hardness 60 ±5 Shore A
- Sealing profile hardness 25 ±5 Shore A
- Temperature resistant -30 °C to 100 °C

Clamp insert

Steel wire polyester clamping band



INFORMATION

Edge protection seal profiles GN 2180 can be used to seal doors, covers and hatches. The profiles are pressed by hand onto the front of metal sheets and plates. The embedded clamp insert prevents detachment. Glue or other adhesives are not required.

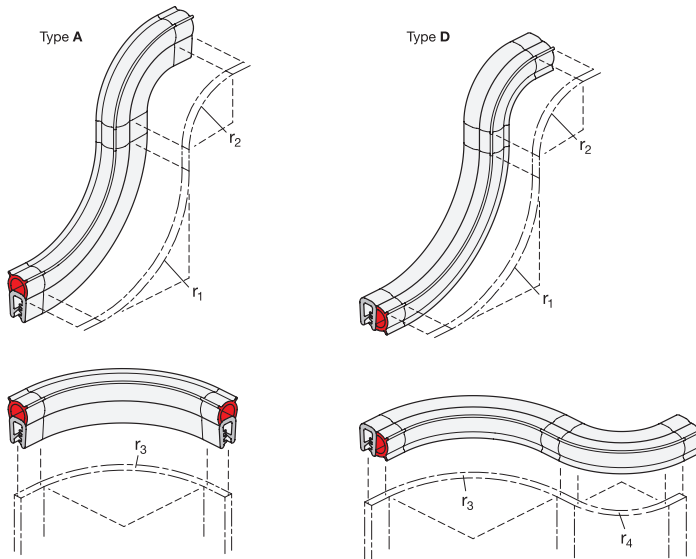
When assembled, the profile should deform slightly according to w_2 . This ensures an optimal seal. Adherence to the guideline placement radii ($r_1... r_4$) is recommended in order to ensure a tight profile seal and to make assembly easier.

The NBR profiles are recommended for use in cases where contact with fuels, oils or coolants can occur.

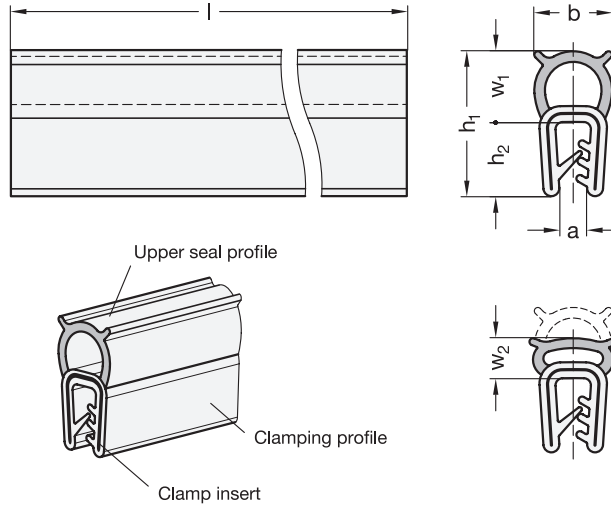
The EPDM versions are made of UL 50 and UL 94-HB certified edge protector sealing profiles.

TECHNICAL INFORMATION

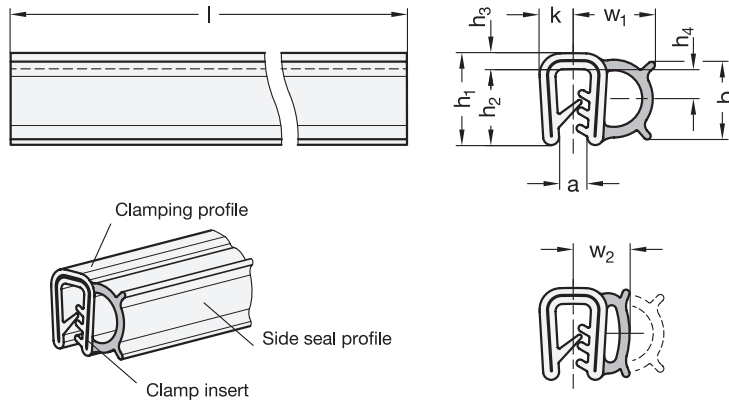
- Plastic Characteristics (see page A2)



Type A



Type D



GN 2180-A

Description	h ₁	Length l in meter	a	b	h ₂	r ₁	r ₂	r ₃	w ₁	w ₂ up to 50% permissible deformation	⚖
GN 2180-EPDM-15,5-A-20	15,5	20	0,8 - 2,5	8,5	9	80	50	20	6,5	5	2800
GN 2180-EPDM-15,5-A-50	15,5	50	0,8 - 2,5	8,5	9	80	50	20	6,5	5	5600
GN 2180-EPDM-20,5-A-20	20,5	20	1 - 3,5	11	10,5	90	50	30	10	7	3000
GN 2180-EPDM-20,5-A-50	20,5	50	1 - 3,5	11	10,5	90	50	30	10	7	6400
GN 2180-NBR-20,5-A-20	20,5	20	1 - 3,5	11	10,5	90	50	30	10	7	2900
GN 2180-NBR-20,5-A-50	20,5	50	1 - 3,5	11	10,5	90	50	30	10	7	6300

GN 2180-D

Description	h ₁	Length l in meter	a	b	h ₂	h ₃	h ₄	k	r ₁	r ₂	r ₃	r ₄	w ₁	w ₂ up to 50% permissible deformation	⚖
GN 2180-EPDM-11,5-D-20	11,5	20	0,8 - 2,5	8,75	9	2,5	3,75	4	30	40	80	4	8,5	6,75	2500
GN 2180-EPDM-11,5-D-50	11,5	50	0,8 - 2,5	8,75	9	2,5	3,75	4	30	40	80	4	8,5	6,75	5500
GN 2180-EPDM-13-D-20	13	20	1 - 3,5	11	10,75	2,25	4,5	4,75	40	50	100	4,75	11,25	8,75	2800
GN 2180-EPDM-13-D-50	13	50	1 - 3,5	11	10,75	2,25	4,5	4,75	40	50	100	4,75	11,25	8,75	6200
GN 2180-NBR-13-D-20	13	20	1 - 3,5	11	10,75	2,25	4,5	4,75	40	50	100	4,75	11,25	8,75	2600
GN 2180-NBR-13-D-50	13	50	1 - 3,5	11	10,75	2,25	4,5	4,75	40	50	100	4,75	11,25	8,75	6000

